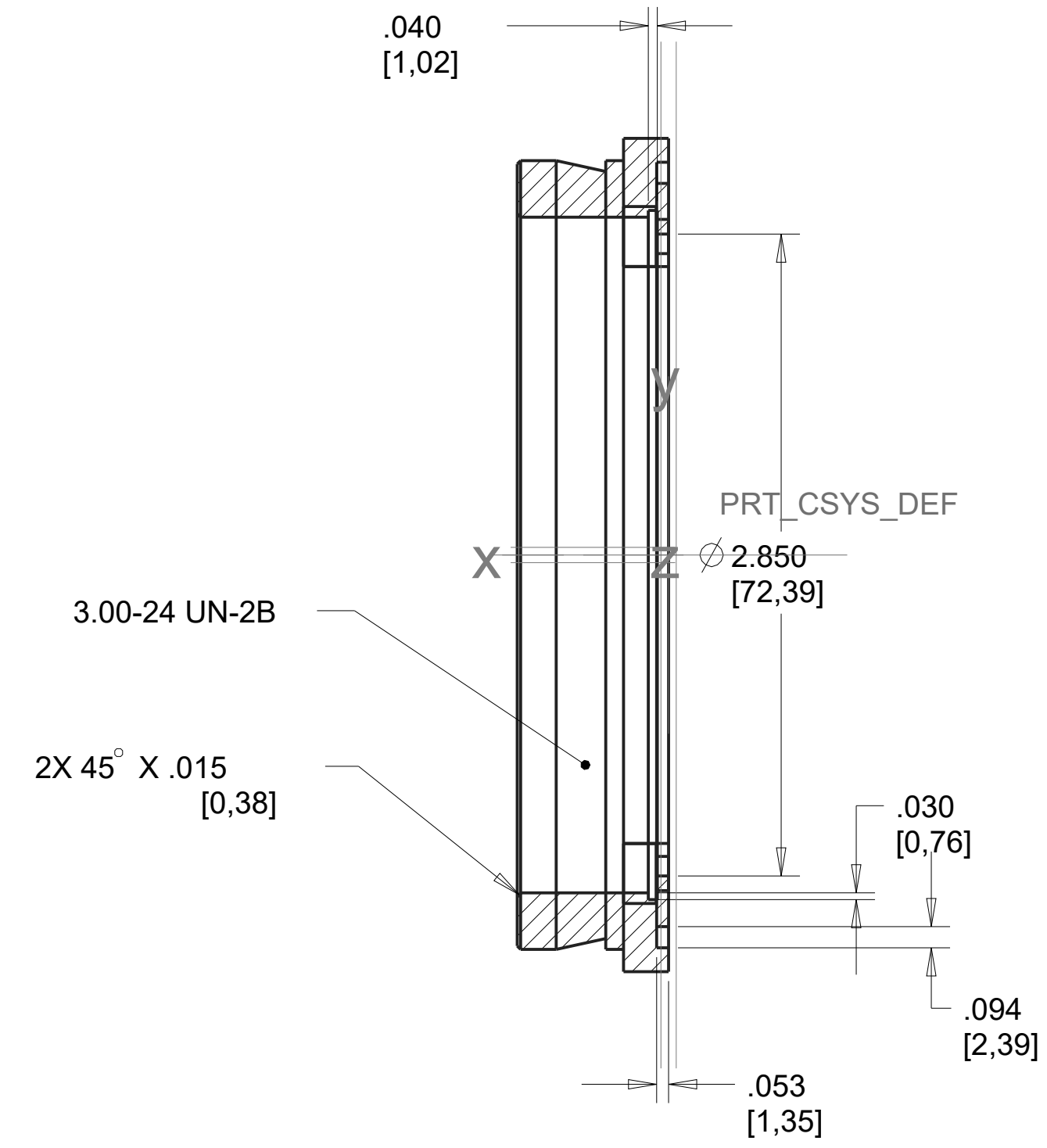
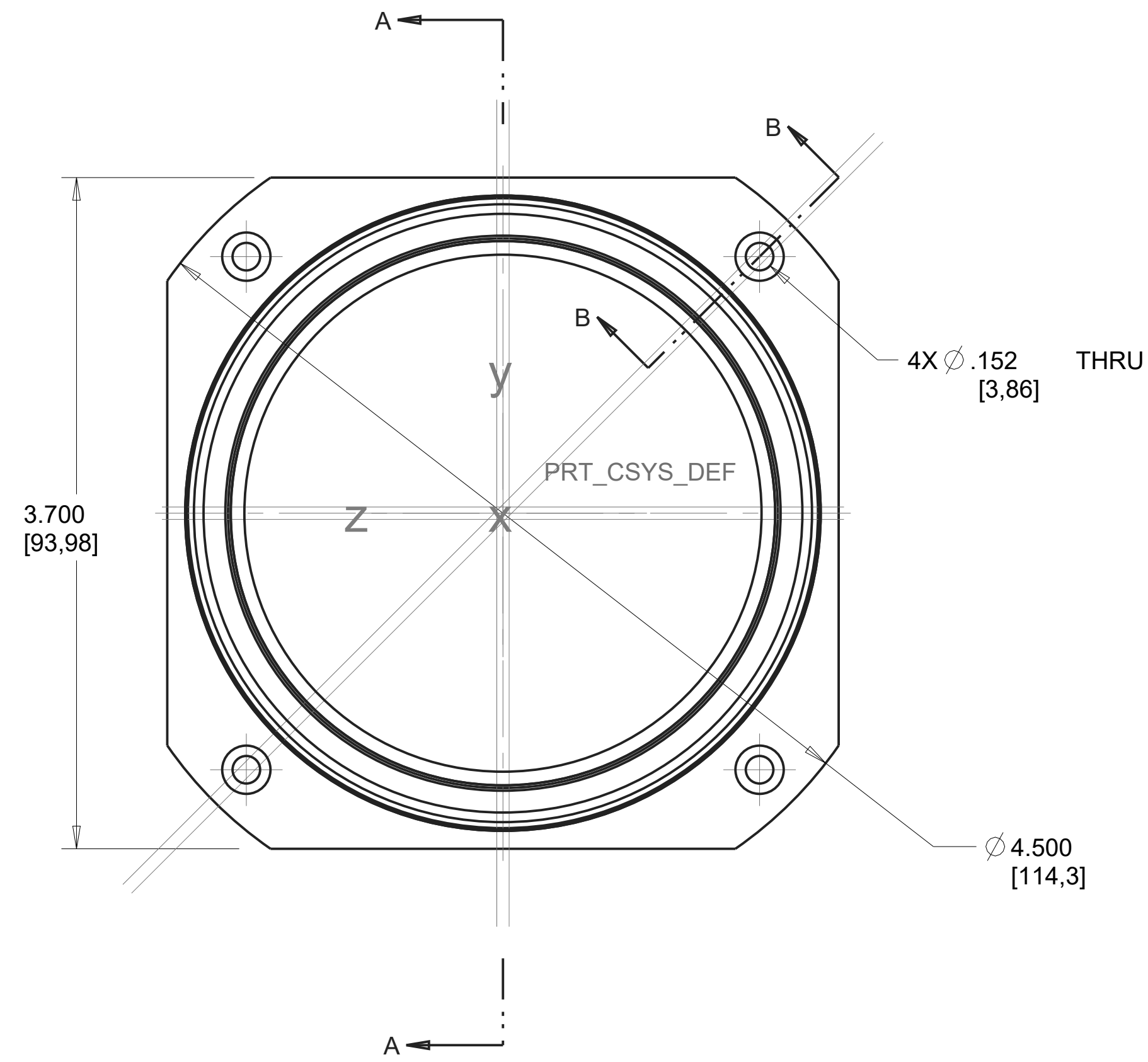


10018 STX MOUNTING PLATE

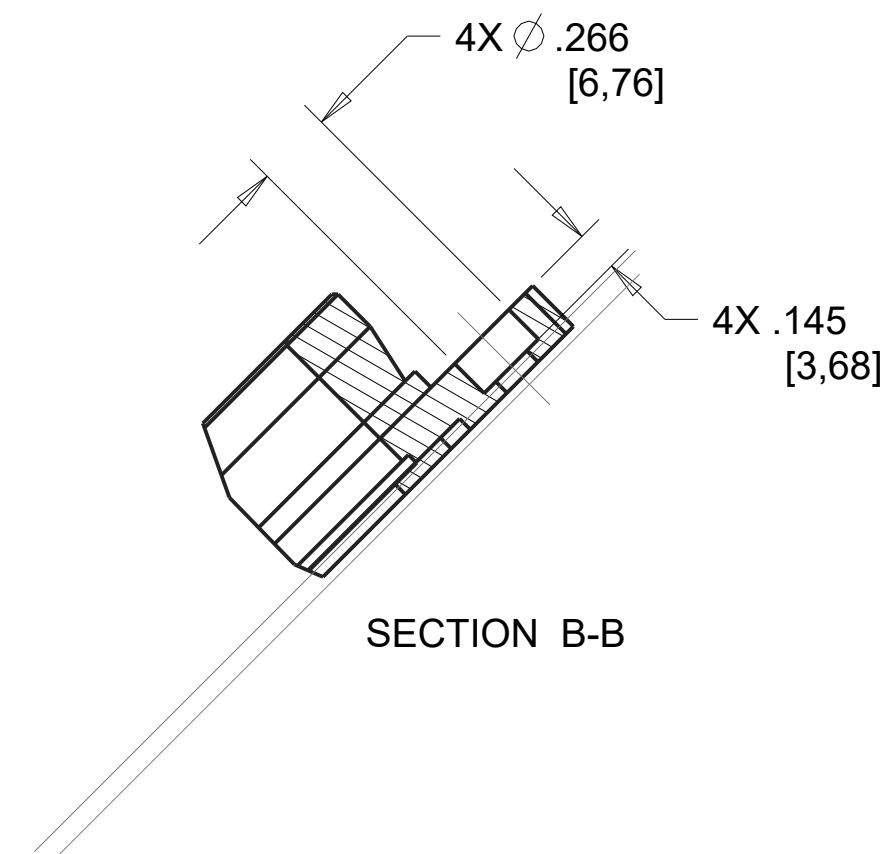
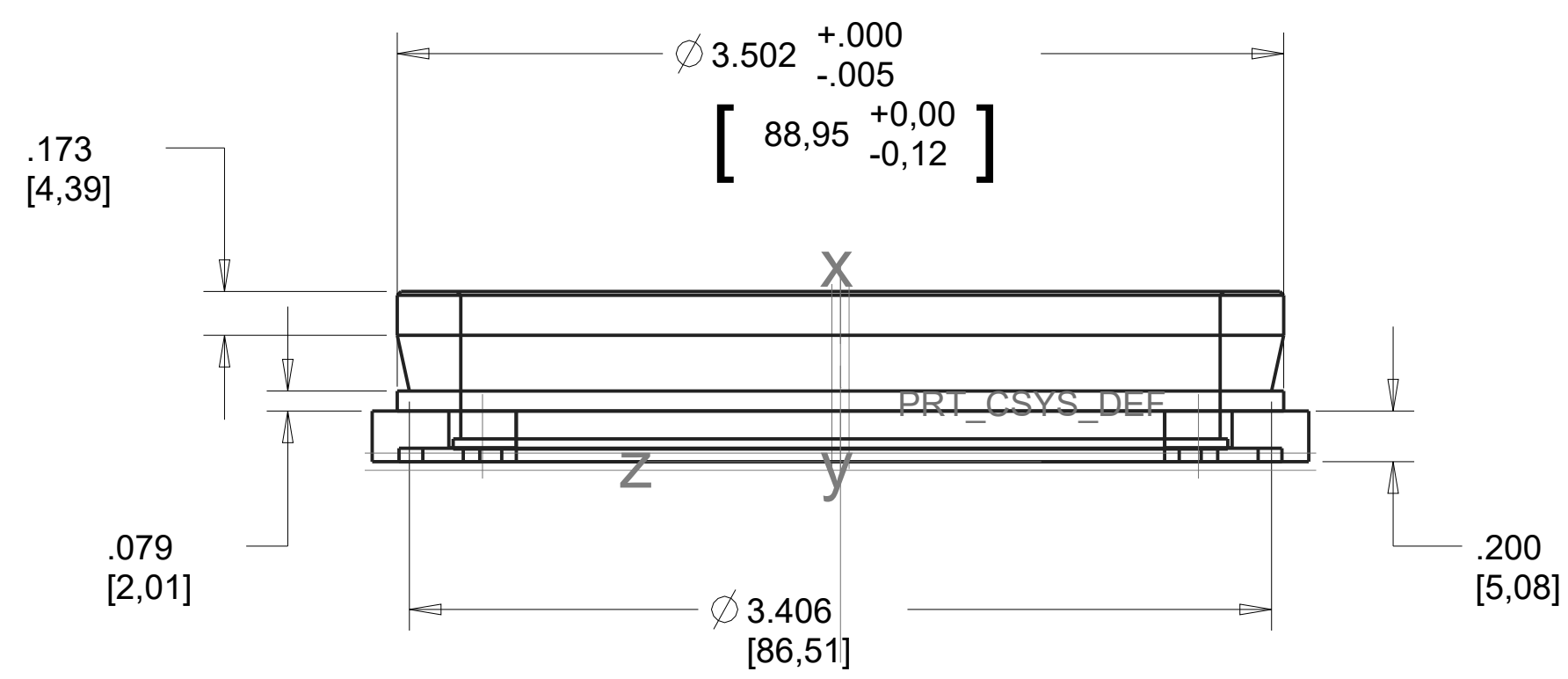
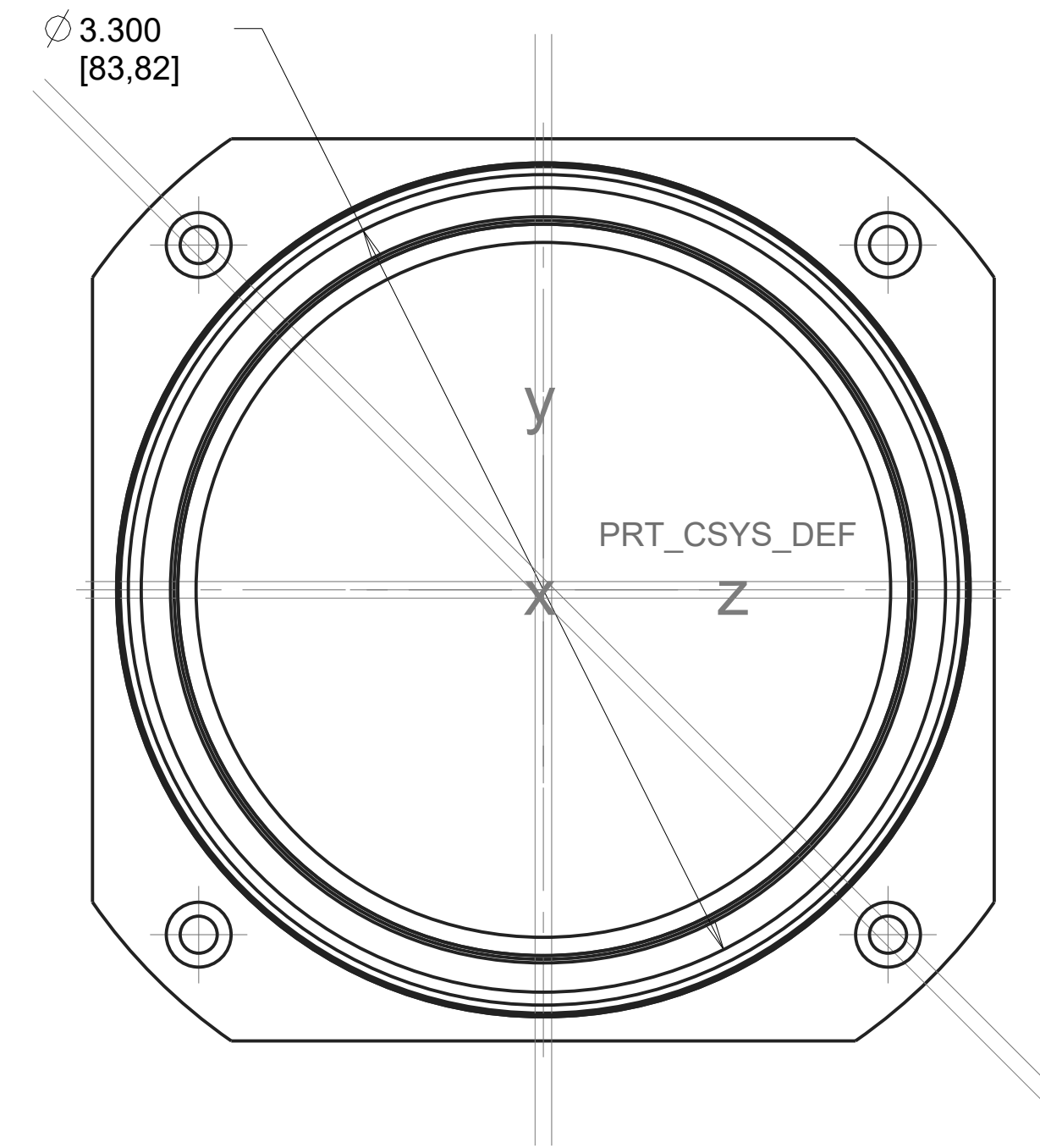
COPYRIGHT 2008 DIFFRACTION LIMITED

NOTES: UNLESS OTHERWISE SPECIFIED

1. MATERIAL: ALUMINUM, 6061-T6 OR T651
2. BLACK ANODIZE.
3. DIMENSIONS APPLY AFTER PLATING.



SECTION A-A



SECTION B-B